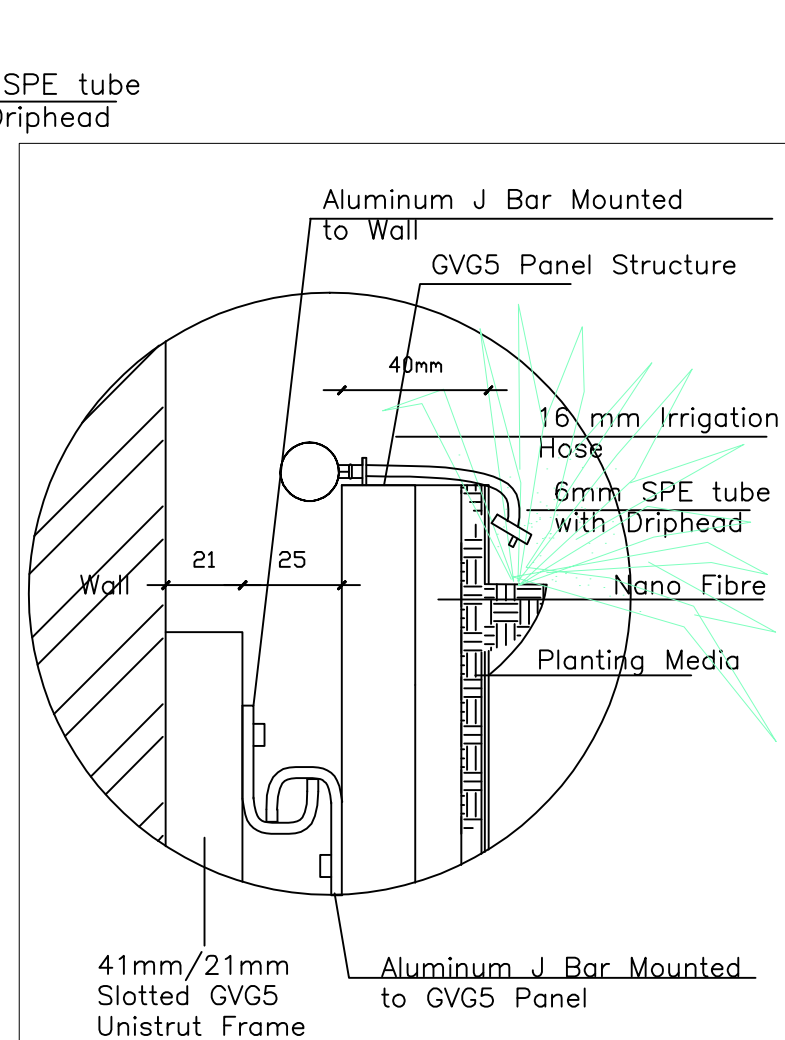


Wall Mounted Schematic
Isometric View



Wall Mounted
Detailed Section sc 1:2

ALL DESIGN, PRINTS & SPECIFICATIONS ARE THE PROPERTY OF GREENOLOGY PTE LTD AND CANNOT BE USED WITHOUT THEIR WRITTEN PERMISSION. CONTRACTORS MUST CHECK ALL DIMENSIONS ON SITE. ANY DISCREPANCIES MUST BE REPORTED IMMEDIATELY BEFORE PROCEEDING.

AMENDMENTS DATE & SIGNATURE



Greenology Vertical Greenery 5 (GVG 5)

Project Title:
Proposed GreenWall for 28a SCR

Job Number:
Greenology/ GVG 5

Drawing Number:
#02

Revision Number:
#00

Subject of Drawing:
Green Wall Details

Date of Drawing:
13th September 2011

Scale of Drawing:

Drawn By:
Greenology Pte Ltd
289/290 Fernborough Road
Singapore 500747
Tel. +65 6214 1140
Fax. +65 6214 0181

